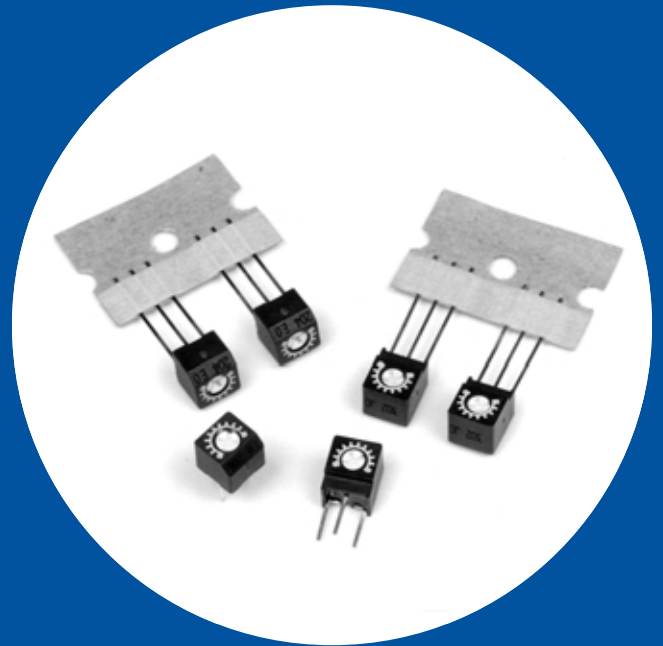


Commercial miniature 6 mm square cermet trimmer potentiometer

- Easy and stable adjustment
- Auto solder, ultrasonic cleaning, immersion cleaning available
- Variety of terminal pitches
- Cross-slot knob for ease of adjustment
- Auto insertion with radial taping



Electrical and Mechanical Specifications

Taper

Linear

Resistance Range

10 ohms to 2 megohms
(See Resistance Code Table)

Resistance Tolerance

± 20%

Residual Resistance

Less than 1% of the total resistance or
3 ohms, whichever is greater

Power Rating

0.5 watt at 70°C, 0 watts at 125°C

Maximum Working Voltage

200 V or \sqrt{PR} = whichever is less

Temperature Range

-55°C ~ +125°C

Temperature Coefficient

±100 ppm/°C (except 10 ohms ≈ +200 ppm/°C)

Noise (Contact Resistance Variation)

Less than 3% of total resistance or 3 ohms,
whichever is greater

Insulation Resistance

DC 500 V, 1000 megohms, minimum

Dielectric Strength

AC 500 V 1 minute

Rotation Angle

250° ± 10°

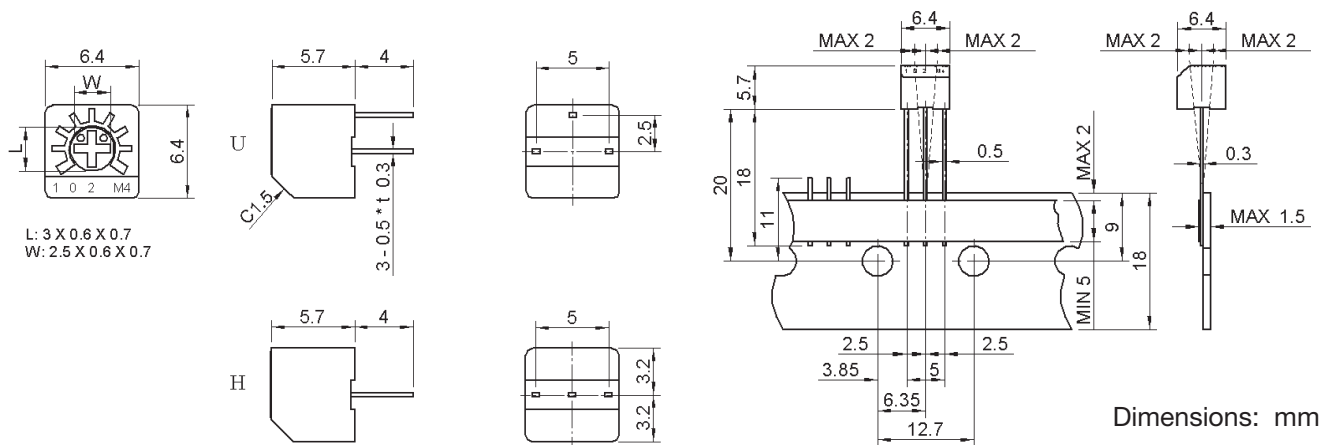
Operation Torque

20 mN•m, maximum

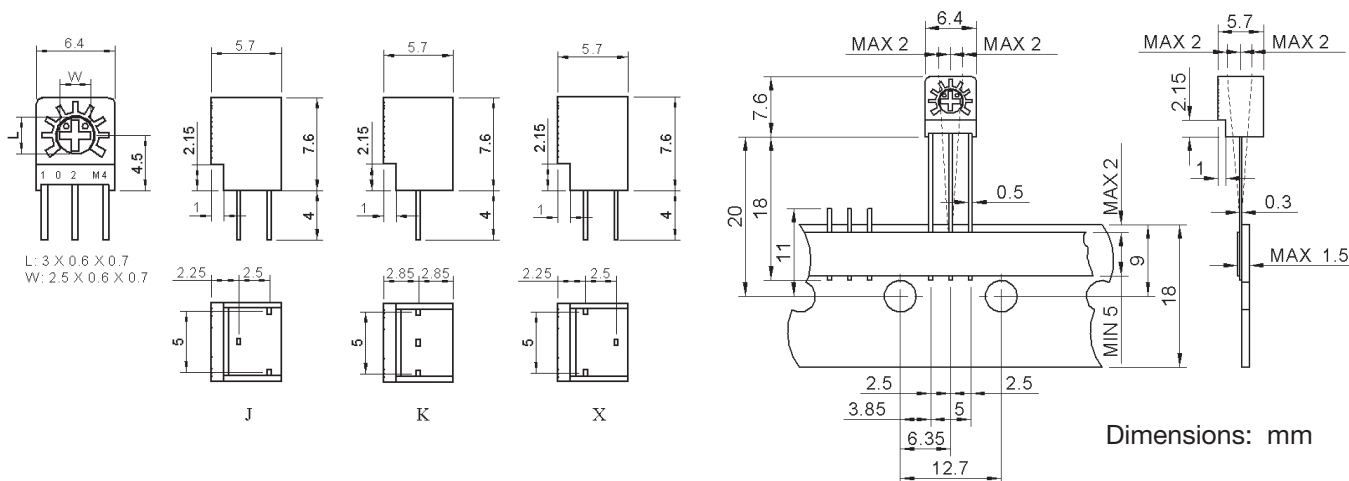
Stop Strength

50 mN•m, maximum

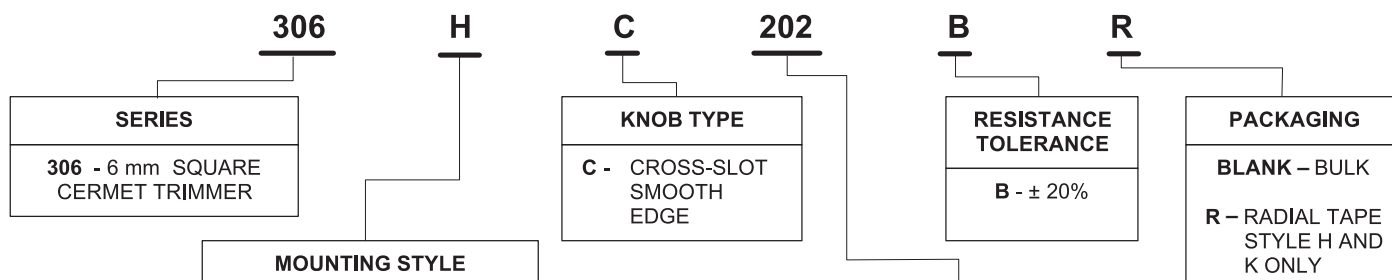
Horizontal mounting - Knob parallel to printed circuit board



Vertical Mounting - Knob perpendicular to printed circuit board



Ordering Information



RESISTANCE CODE

Code	Resistance	Code	Resistance	Code	Resistance
100	10 OHMS	102	1K OHM	104	100K OHMS
200	20 OHMS	202	2K OHMS	204	200K OHMS
500	50 OHMS	502	5K OHMS	504	500K OHMS
101	100 OHMS	103	10K OHMS	105	1 MEGOHM
201	200 OHMS	203	20K OHMS	205	2 MEGOHMS
501	500 OHMS	503	50K OHMS		

Example of part number: **306HC202BR**

Order From:

CTS CORPORATION, RESISTOR / ELECTROCOMPONENTS / 406 Parr Road / Berne, IN 46711

PHONE: (260) 589-3111 / FAX: (260) 589-3243

<http://www.ctscorp.com>

CTS COMPONENTS TAIWAN, LTD. / 7, Central 6th Road (Chung Liu Road) / P.O. Box 26-20

Kaohsiung Export Processing Zone / Kaohsiung, Taiwan, Republic of China

PHONE: (07) 8216145 / FAX: 8417642.8110040